

# KOMPAS-3D

MCAD software solutions developed by ASCON are famous for their powerful functions.

They are easy-to-use with a comfortable interface, reasonable pricing, and strong compatibility with other systems.

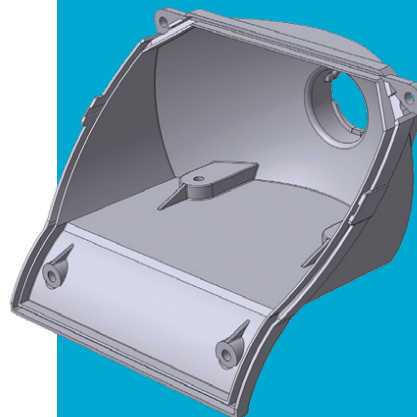
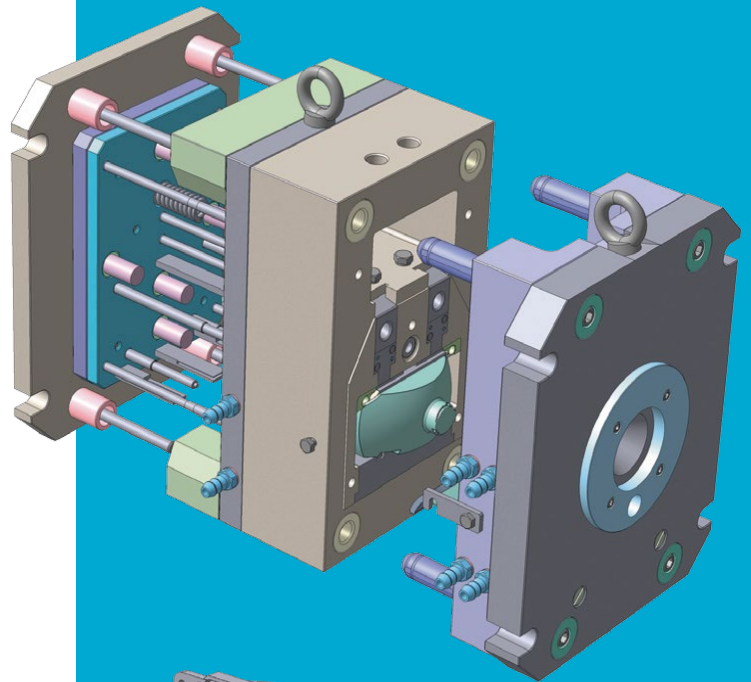
## Mould and Die Design in KOMPAS-3D

### KOMPAS-3D key features and benefits:

- Operates as a 3D parametric solid modeler that supports an unlimited number of parts and assemblies
- Incorporates the KOMPAS-Graphic solution for 2D drafting and design
- Provides advanced 3D sketching tools that enable users to design skeleton structures
- Flexibly edits parts and assemblies
- Extends functions to sheet metal design
- Quickly creates engineering and design documentation, such as assembly drawings, BOMs, and detail sheets
- Includes libraries of standard symbols and parts
- Imports and exports most of the common CAD and standard formats, including IGES, SAT, STL, Parasolid XT, STEP-242, JT, VRML, GIF, TIFF, JPG, and Windows Metafile formats
- Requires minimal hardware

### KOMPAS-3D for Mould and Die Design

KOMPAS-3D is a mechanical CAD solution for parametrically designing parts and assemblies as 3D solid models. KOMPAS-3D effectively designs mould and die designs, analyzes them, and then generates the related design and drafting documentation.



# KOMPAS-3D add-ins

## Mould and Die Design

The Mould and Die Design add-in helps automate the design, analysis, and construction of steel moulds used for making plastic parts from pressure castings. The add-in provides the following functions:

- Analyzes 3D models
- Designs the shapes of die moulds
- Models the mould channeling systems

Mould and Die Design add-in is a powerful system that increases the production performance of designers, improves the quality of the design, and so enhances the competitiveness of a company's products.

## 3D-Storage

A collaborative environment and tools for designers including:

- File versions management
- Instant change notification
- Local and remote teamwork
- Top-down design technology support

Two 3D-Storage licenses are available for free. For more options please contact your local ASCON software reseller.



# KOMPAS-3D

## KOMPAS-3D for Mould and Die Design

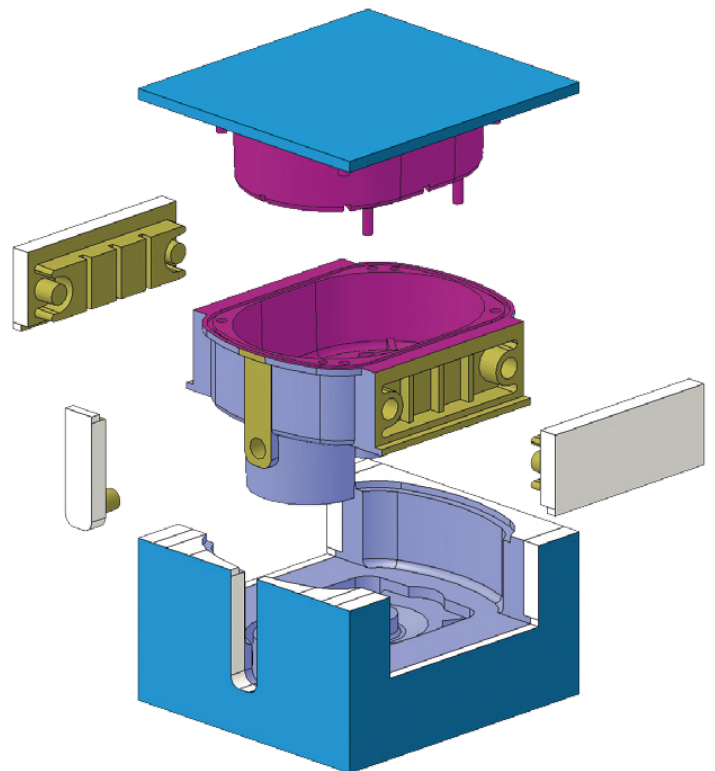
### KOMPAS-3D Surface Modeling Capabilities

KOMPAS-3D creates the following types of 3D surfaces:

- Extrusion surfaces
- Revolved surfaces
- Lofted surfaces
- Sweeps
- Patches
- Rules
- Surfaces by curve grids
- Surfaces along point grids
- Surfaces along point formations
- Equidistant surfaces
- Blended surfaces

The following surface operations are available to designers:

- Trimming
- Splitting
- Extension
- Knitting
- Elimination of specific edges of surfaces and bodies



Download your 30-day KOMPAS-3D  
trial from [www.ascon.net](http://www.ascon.net)